

CATALOGUE
MOTORORIZED SMOKE
& FIRE DAMPER

AL **MABANI**
AL UMUMIYAH



saudi@almabani.net



+966 54 448 2805



L: [RMFB5067, 14548 Riyadh - KSA14548, Riyadh, KSA](#)
E-mail: saudi@almabani.net * Website: www.almabani.net

COMBINATION FIRE SMOKE DAMPER UL55S LEAKAGE CLASS 1



MODEL SAS-FSD-1.5PB (1-1/2 HR)

APPLICATION

MODEL SAS-FSD-11PB is a UL 555 & UL 555S Classified combination fire smoke damper used in dynamic smoke management system and can be used in a 2 or 4 hours walls or floors . It meets NFPA 90A , UL 555 & UL 555S

Operation & Dynamic closure for Vertical & Horizontal mount with airflow on both sides rated:

- Max static pressure : up to 4" W.G(1000 Pa)
- Max Velocity : up to 4000 FPM (20.3 m/S0
- Operating Temp : up to 350°F (177 °C)

STANDARD CONSTRUCTION

FRAME

16 gauge (1.6 mm) galvanized steel interlocking hat section channel frame construction.

BLADES

16 gauge (1.6 mm) galvanized 3 "V" formed .

CLOSURE DEVICE.

Electronic fusible link with closure temperature of 165 °F(74°C) (others available)

BEARINGS

Sintered bronze, oil impregnated.

LINKAGE

Plated steel in opposed blade configuration, concealed inside the jamb, Operator shaft ½ " steel rod.

FINISH

Mill Galvanized

BLADE SEALS

Extruded silicone blade seals and stainless steel jamb seals.

JAMB SEALS

300 series stainless Steel , flexible metal compression type.

UNDERSIZED

¼" under ordered size unless specified exact or actual

SLEEVES

Rectangular 18GA x 16" galvanized steel

MINIMUM SIZE SINGLE SECTION

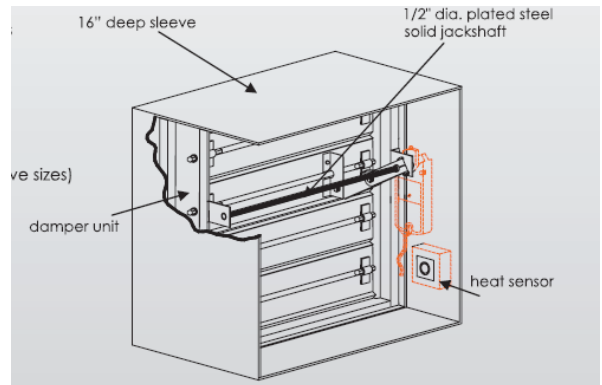
8" width x 6" Height

MAXIMUM SIZE SINGLE SECTION

36" Width X 48 " Height Vertical
36" x 36 " Vertical /Horizontal

OPTIONAL CONSTRUCTION

Heat sensor -212 °F ,250°F



JACK SHAFT

½ " (12.7 MM) diameter zinc plated steel with jack shaft connector coupling

ACTUATOR :

Electric spring return 230 V ,120 V or 24 V and pneumatic.

CAULKING

UL approved silicone sealants

OPTIONS

- Closure device –Fusible Link
- Bearings : Stainless Steel
- Actuator Mounting : External & internal
- Optional Material : Stainless steel construction
- Sleeves : Round, Oval and specials.

MODEL	Hr Class	Leakage Class	Mounting Position	Single Section Size			
				W		H	
				Min	Max	Min	Max
FSD 1.5 PB	1.5	I-250,I-350	H,V	8	36	6	48
FSD 3 PB	3	I-250,I-350	H,V	8	36	6	48



AL **MABANI**
AL UMUMIYYAH